

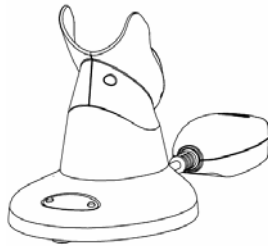
<b>Z-3051BT</b> <b>2.4GHZ Wireless Handheld Laser Scanner</b>	
--	--

**Standard Device**

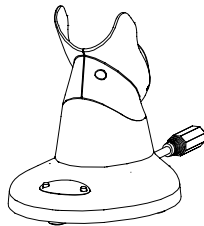


Model No.	Part No.	Barcode Symbology	Remark
Z-3051BT	883-51BT00-000		Industrial White Housing
Z-3051BT (B)	883-51BT00-001		Black Housing

**Standard Accessory**



Description	Charging and Communication Cradle for wireless handheld scanner		
Item Part No.	Barcode Symbology	REMARK	
883-51CR00-000		For charging and communication; Industrial white housing	
883-51CR00-001		For charging and communication; Black housing	



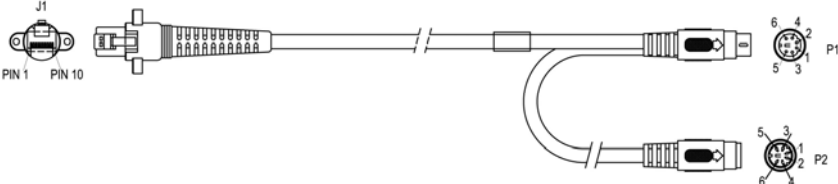
Description	Charging Cradle for wireless handheld scanner		
Item Part No.	Barcode Symbology	REMARK	
883-51CC00-000		For charging only; Industrial white housing	
883-51CC00-001		For charging only; Black housing	

**Standard Cable Options**


Please select a suitable cable from the following options according to your computer type/interface.

**1. Keyboard Wedge Cable (for PS/2)**

**K TYPE DIN(M)+MINI DIN(F)**

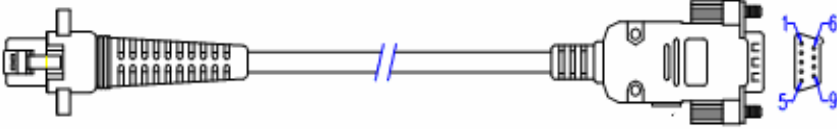


PIN-OUT CONFIGURATION			
5DIN (M)		MINI DIN(F)	
DIN	FUNCTION	DIN	FUNCTION
1.	PC Clock	1.	KB Data
2.	PC Data	2.	N.C.
3.	N.C.	3.	GND
4.	GND	4.	+5V
5.	+5V	5.	KB Clock
		6.	N.C.


**Item Part No.**                    171-13K100-200                    

**2. RS-232C Cable**

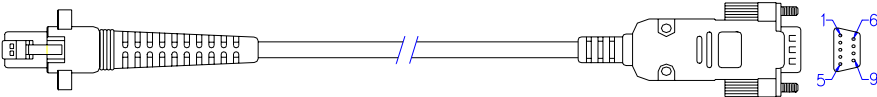
**FEMALE DB-9 + EXTERNAL DC-JACK**




PIN-OUT CONFIGURATION			
2.	TX	7.	CTS
3.	RX	8.	RTS
5.	GND		

**Item Part No.:**                    171-13R421-200                    

**FEMALE DB-9**

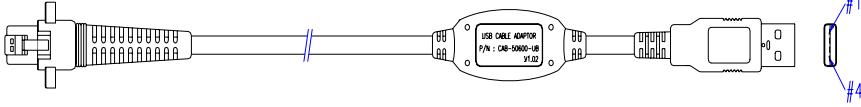


PIN-OUT CONFIGURATION			
2.	RX	7.	RTS
3.	TX	8.	CTS
5.	GND	9.	


**Item Part No.:**                    171-13R41-200                    

**3. USB Cable**

**USB TYPE A**

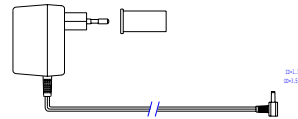
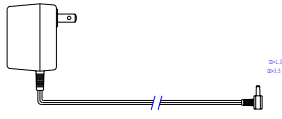


USB TYPE A Connector	Function
1.	VCC
2.	D-
3.	D+
4.	VSS

**Item Part No.:**                    171-13U300-200                    

## Optional Accessories

### Power Adapter



Part No.	Barcode Symbology	Plug	Output	Applicable Regions
11S-900090-002		UK Plug	9 VDC 1A	United Kingdom, Scotland
11S-900121-006		US Plug	9VDC 1A	North America, Japan, Taiwan
11S-900092-002		Australia Plug	9VDC 1A	Australia
11S-900093-002		European Plug	9VDC 1A	Europe, China, South East Asia, Middle East, South America