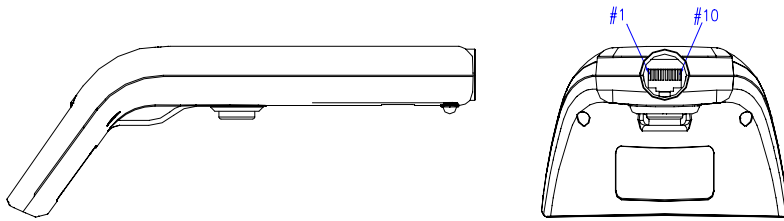


Z-3010 Handheld Contact CCD Scanner

Standard Device



PIN-OUT CONFIGURATION			
RJ 1.	RTS_TTL	RJ 6.	RX_TTL
RJ 2.	KB Data	RJ 7.	KB Clock
RJ 3.	PC Clock	RJ 8.	+5V
RJ 4.	GND	RJ 9.	PC Data
RJ 5.	CTS_TTL	RJ10.	TX_TTL

Model No.	Part No.	Barcode Symbology	TYPE	REMARK
Z-3010	883-100000-000		RS-232C Keyboard USB1.1	Industrial white housing
Z-3010 (B)	883-100000-001			Black housing

Standard Cable Options

Please select a suitable cable from the following options according to your computer type/interface.

1. Keyboard Wedge Cable (for PS/2)

	PIN-OUT CONFIGURATION			
	MINI DIN (M)		MINI DIN(F)	
1.	PC Data	1.	KB Data	
2.	N.C.	2.	N.C.	
3.	GND	3.	GND	
4.	+5V	4.	+5V	
5.	PC Clock	5.	KB Clock	
6.	N.C.	6.	N.C.	

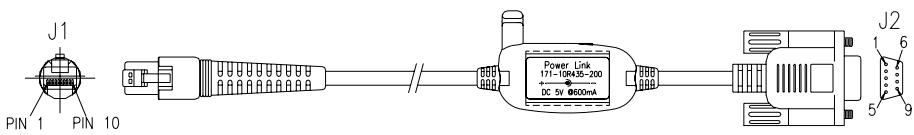
Item Part No. 171-10K100-200

2. RS-232C Communication Cable (DTE pin out)

	PIN-OUT CONFIGURATION	
	DB-9 (F)	FUNCTION
2	TX	
3	RX	
7	CTS	
8	RTS	
5	GND	
9	+5V Input	


Item Part No. 171-10R445-200

RS-232C Communication Cable (DCE pin out)

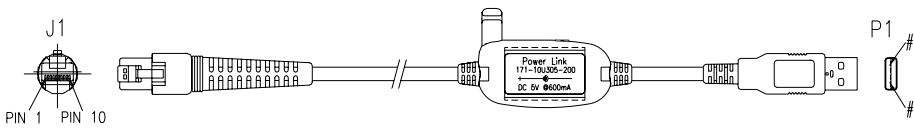


PIN-OUT CONFIGURATION	
DB-9 (F)	FUNCTION
2	RX
3	TX
7	RTS
8	CTS
5	GND
9	+5V Input

Item Part No. 171-10R435-200




3. USB Interface with Detachable Cable Type A



PIN-OUT CONFIGURATION	
USB TYPE A Connector	Function
1.	VCC
2.	D-
3.	D+
4.	VSS





Item Part No. 171-10U305-200



Optional Accessories

Power Adapter



Part No.	Barcode Symbology	Plug	Output	Applicable Regions
11S-500050-001		UK Plug	5 VDC 1mA	United Kingdom, Scotland
11S-500051-001		US Plug	5VDC 1mA	North America, Japan, Taiwan
11S-500052-001		Australia Plug	5VDC 1mA	Australia
11S-500053-001		European Plug	5VDC 1mA	Europe, China, South East Asia, Middle East, South America