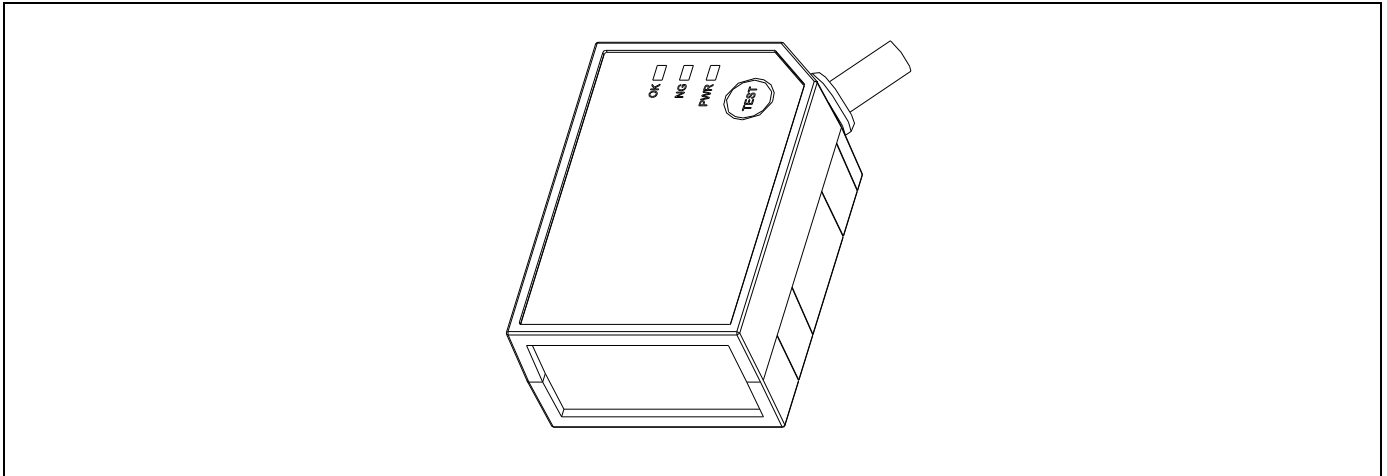


# A-30M Miniature CCD Scan Module

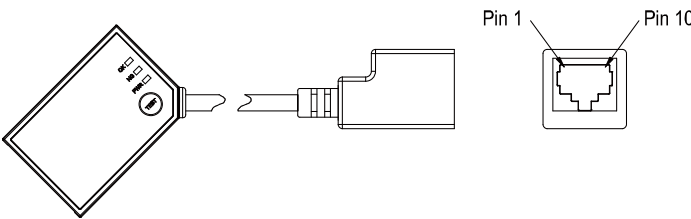
## Standard Device



MODEL NO.	PART NO.	BARCODE	REMARK
A-30M (F)	880-3000FK-010		Standard Device w/Free Connection (RS-45 10P10C) for Multi-interface Connection
A-30M (R)	880-3000RP-010		Standard Device w/RS-232 Cable
A-30M (U)	880-3000UB-010		Standard Device w/USB Cable

## Standard Cable Options

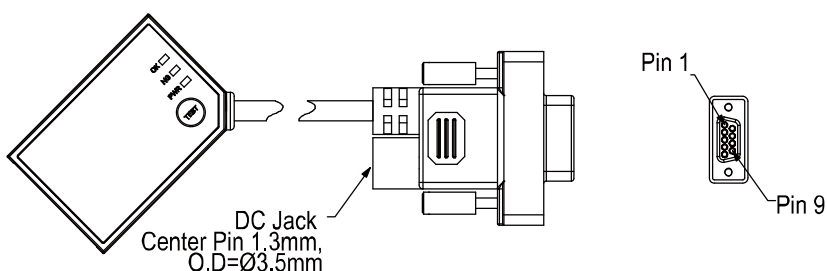
### 1. Free interface – RS-45 10P10C for multi-interface connection



PIN-OUT CONFIGURATION			
Pin #	Function	Pin #	Function
1	RTS_EIA	6	RX_EIA
2	USB_D+	7	Trigger_In
3	USB_D-	8	+5V Input
4	GND	9	N.C.
5	CTS_EIA	10	TX_EIA

**PART NO.**      170-15M000-100

### 2. RS-232 interface – Power adapter required if host can not provide sufficient power



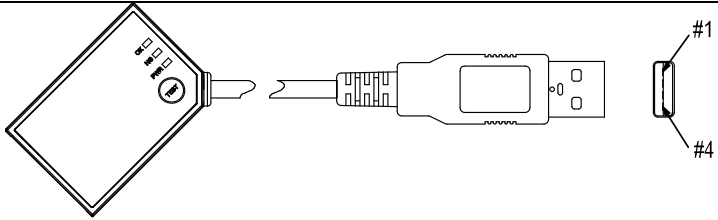
PIN-OUT CONFIGURATION			
Pin #	Function	Pin #	Function
1	N.C.	6	N.C.
2	TX_EIA	7	CTS_EIA
3	RX_EIA	8	RTS_EIA
4	N.C.	9	+5V Input
5	GND		

**Cable Part Number:**      170-15R445-200


Inner of DC-Jack: +5V DC

Outer of DC-Jack: GND

### 3. USB Interface connection

	Pin #	Function
	1	N.C.
	2	TX_EIA
	3	RX_EIA
4	N.C.	

**Cable Part Number:** 170-15U301-200



#### **NOTE:**

- DTE: Data terminal equipment. Normally can direct connect to PC's com. Port
- DCE: Data communication equipment.
- Special Order Requirement:  
ZEBEX is capable of supplying special cable that is not listed in this guide, given that customers provide detailed pin configurations. The minimum order quantity of a special cable is 250 pcs.
- Length of the cable is 6.5 feet (2 meter).

#### **Power Adapter**

We have power adapter for RS-232 interface when host can not provide sufficient power. For detailed information, please contact your sales representative or ZEBEX via [mail@zebex.com](mailto:mail@zebex.com).